



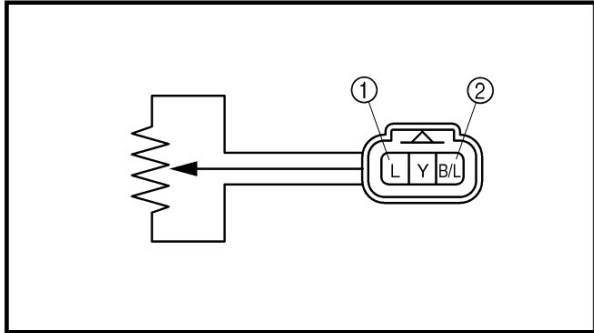
INSPECTION AND ADJUSTMENT

1. Inspect:

- Throttle position sensor

Inspect steps:

- Disconnect the throttle position sensor coupler.
- Remove the throttle position sensor from the throttle body.
- Connect the pocket tester ($\Omega \times 1k$) to the throttle position sensor.



Positive tester probe → Blue terminal ①

Negative tester probe →

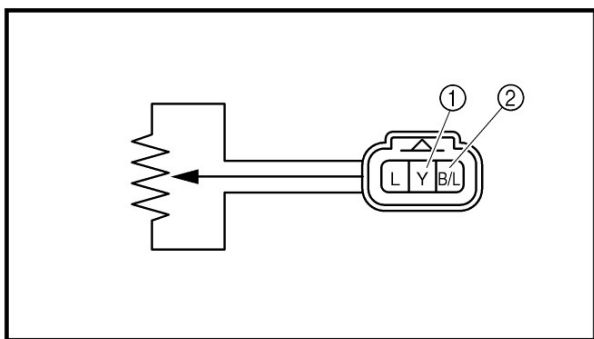
Black/Blue terminal ②

- Measure the maximum throttle position sensor resistance.
Out of specification → Replace the throttle position sensor.



Maximum throttle position sensor resistance:

2.64 ~ 6.16 k Ω at 20 °C (68 °F)
(Blue – Black/Blue)



2. Adjust:

- Throttle position sensor angle

Adjustment steps:

- Connect the fuel injection system sub-wire harness coupler to the wire harness.
- Connect the digital circuit tester to the throttle position sensor.

Positive tester probe → Yellow terminal ①

Negative tester probe → Black/Blue terminal ②



Digital circuit tester:

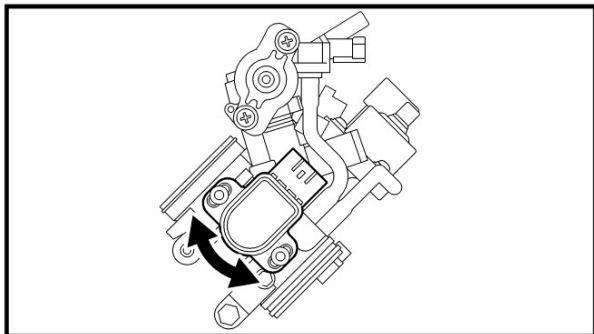
90890-03174

Model 88 Multimeter with tachometer:

YU-A1927

THROTTLE BODY

FI



- Measure the throttle position sensor voltage.
- Adjust the throttle position sensor angle so the measured voltage is within the specified range.



Throttle position sensor voltage:
0.63 ~ 0.73 V
(Yellow – Black/Blue)

- After adjusting the throttle position sensor angle, tighten the throttle position sensor screws.